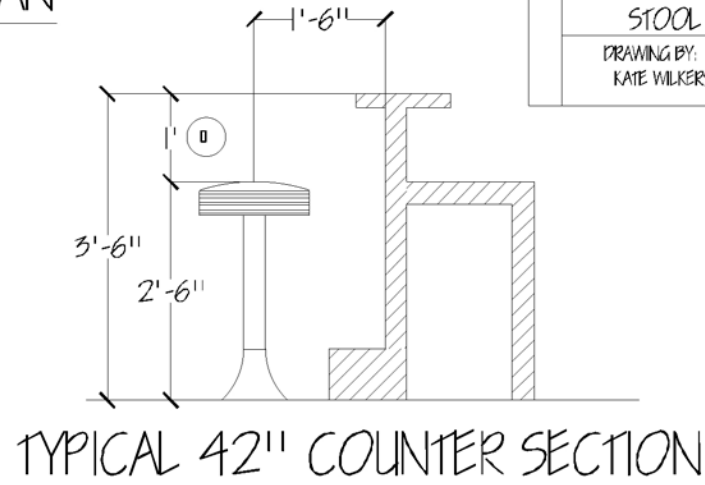
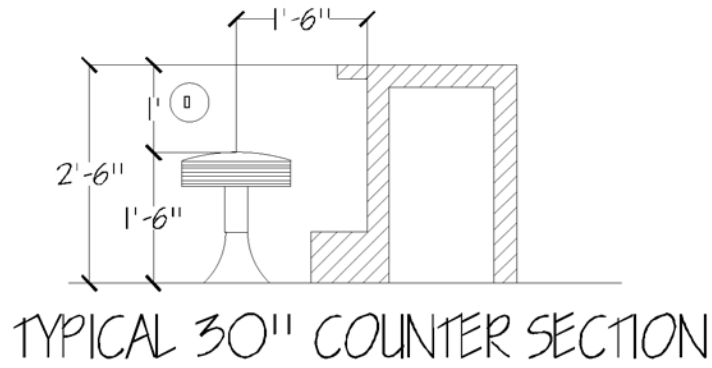


TYPICAL COUNTER PLAN

TYPICAL COUNTER STOOL POSITION
DATE: 12-21-06
COUNTER STOOL
DRAWING BY: KATE WILKERSON



⊖ - 12" DIMENSION SHOULD BE HELD TO MAINTAIN CORRECT SPATIAL RELATIONSHIPS.